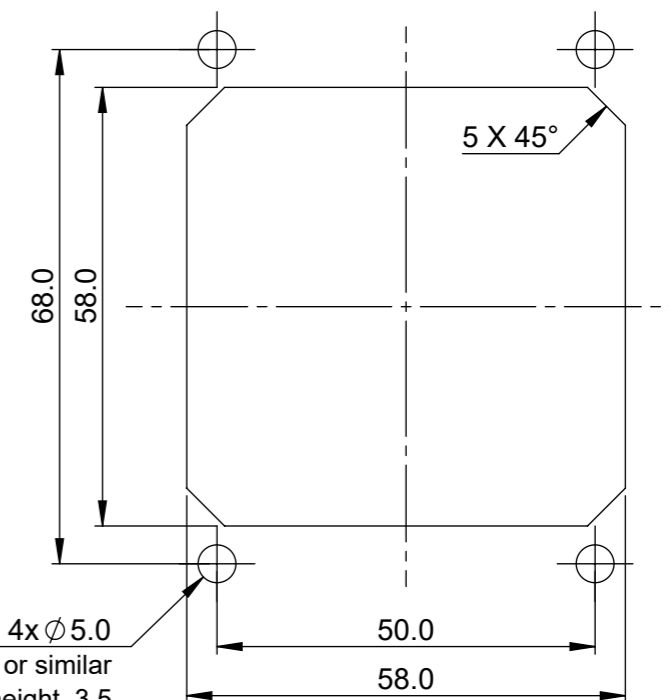


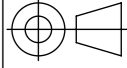
Recommended Panel Cut-Out:



fixation with ISO 7045 - M4 or similar
 max. head diameter 8.0, max. height 3.5
 min. thread length 10 + Panel Thickness

DIMENSIONS STATED IN MM

Open pump is exemplary visualization based on 15KU with NEMA23 as 3 Roller Version (#15701.300) with Single 6.4x1.6 Straight Tube Set (#15000.228). Dimensions of open pump valid for all pumps of 15KU family.

BOXER					Surface Quality	Default Tolerances LIN: X. ±1.00 ANG: X. ±1.0° X.X ±0.20 X.X ±0.5° X.XX ±0.10	Material, Colour Head: PPS/PA/SSt, black	 Format A3 Scale 1:1 Sheet 1 of 1
Marktplatz 9 • 87724 Ottobeuren • Germany					Part Number	Part Name		
Rev.	Date (D.M.Y.)	CRE	CHE	APP	1575[x].3[x]1	15KU NEMA23 A4p		
04					Tool Number	Project		
03					---	15KU		
02								
01								
00	05.12.2022	RZe	SCo	SSp	File Name: 15KU_Assy			