

Boxer Pumps > Products > Diaphragm Pump

3KQ diaphragm pump with DC Motor.



## Technical Data

### Parallel Connection:

Free Flow	28.0 l/min
Max Intermittent Pressure / Max Continuous Pressure	1.0 / 0.3 bar
Max Intermittent Vacuum / Max Continuous Pressure	-800 / -800 mbar
Power Consumption	8.5 to 43.0 W

### Series Connection (Vacuum only):

Free Flow	8.5 l/min
Max Intermittent / Max Continuous Vacuum	-950 / -950 mbar
Power Consumption	16.0 to 30.0 W

Voltage Options	12 / 24 V DC
Terminal Resistance	1.7 Ω / 6.5 Ω (12 V / 24 V)
Wire Length	300 mm (7 mm stripped / tinned)
Wire Colours	Red (+V), Black (GND)
Wire Gauge	22 AWG
EMC Suppression	2 x L ( 2 x 3.9 μH)
Max. Motor Surface Temperature	80 °C
Motor Insulation Class	E
Recommended PWM Frequency	> 16 kHz

Max Ambient Operating Temperature	50 °C
Max Media Temperature	100 °C

### Elastomer Options:

Diaphragm	<b>EPDM</b> / Nitrile / Viton / Silicone
Valves	EPDM / Nitrile / Viton / <b>Silicone</b>
O-Rings	EPDM / Nitrile / Viton / <b>Silicone</b>

Eccentric Options:	0.8 / 1.0 / <b>2.0</b> mm
--------------------	---------------------------

Other Wetted Parts	PPS (polyphenylene sulphide)
--------------------	------------------------------

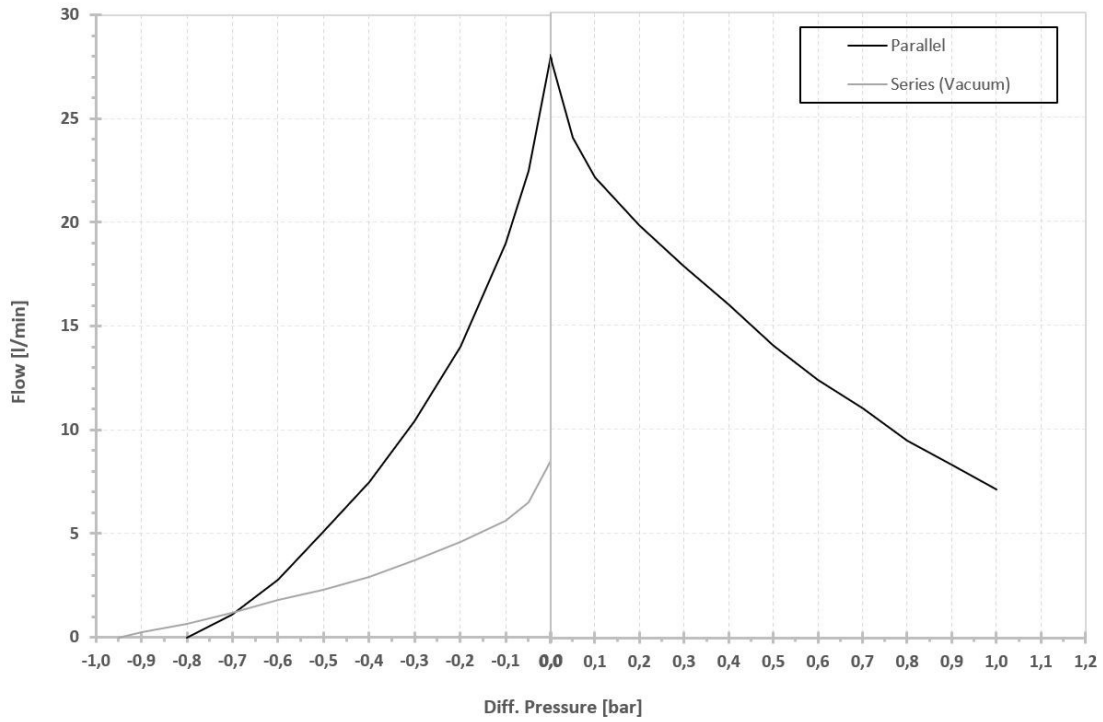
Mounting	Supplied with mounting bracket (see drawing, page 2)
----------	--

Flow Control	→ <a href="#">PWM Flow Controller</a>
--------------	---------------------------------------

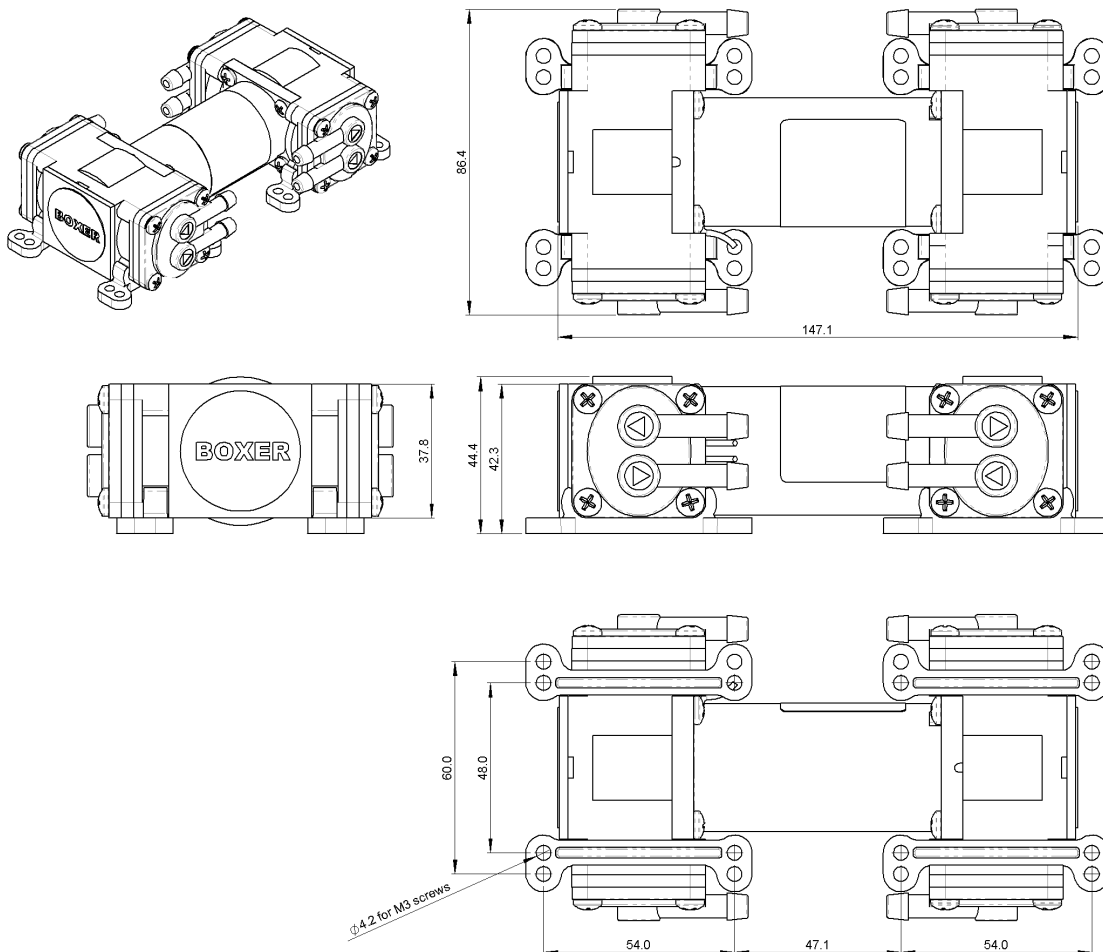
Weight	575 g
--------	-------

**Bold** indicates configuration applicable to this datasheet

## Flow Curve



## Drawing



Links to Drawing and STEP file:

→ [Drawing \(.png\)](#)

→ [STEP \(.zip\)](#)

Boxer Pumps > Products > Diaphragm Pump

## Order Information

Part Number	Description
3114.129	3K 12 V DC
3114.252	3K 24 V DC

Please enquire for part numbers of other configurations.

## BOX-it (Webshop for online purchase)

Sample quantities are available for direct online purchase:



→ [BOX-it](#)

## Additional Information (Links):

→ [3KQ Webpage](#)

→ [Boxer diaphragm pump overview](#)

All data is representative for initial selection purposes. It is the responsibility of the user to determine suitability for the intended use. Technical changes reserved.