

Boxer Pumps > Products > Diaphragm Pump

5KD diaphragm pump with coreless motor.

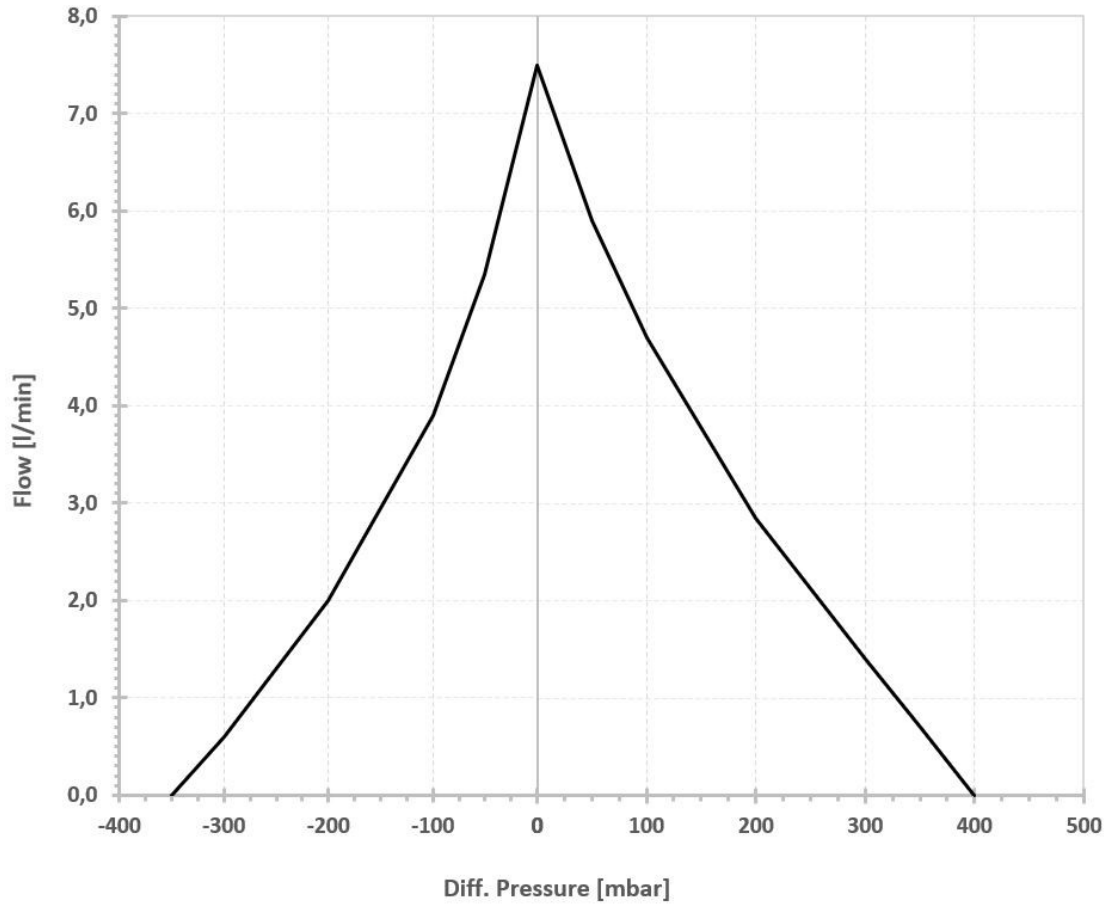


## Technical Data

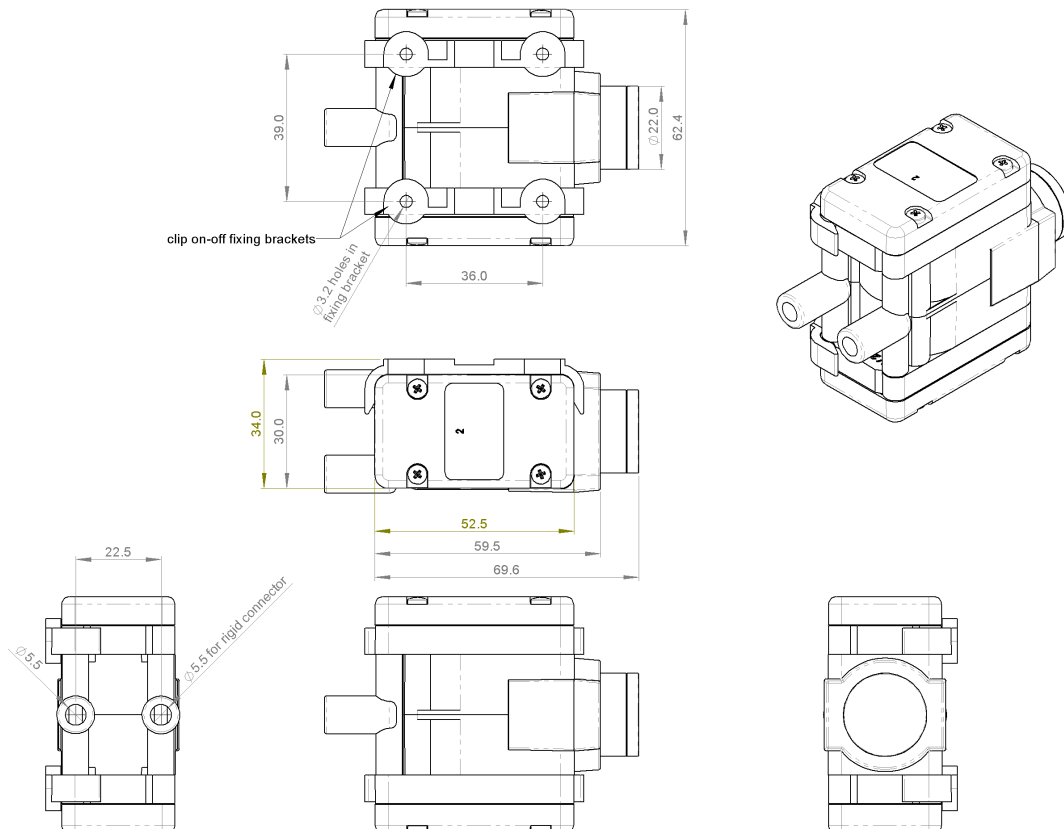
Free Flow	7.5 l/min
Max Pressure	+400 mbar
Max Vacuum	-350 mbar
Inlet	Clear silicone T-Piece, ID 5.5 mm
Outlet	Red silicone T-Piece, ID 5.5 mm
Voltage Options	6.0 V DC
Power Consumption	1.5 to 3.2 W
Wire Length	150 mm (4 mm stripped / tinned)
Wire Colours	Red (+V), Black (GND)
Wire Gauge	24 AWG (UL 10368)
Terminal Resistance	4.4 Ω
Terminal Inductance	130 μH
Insulation Class	B
Max Ambient Operating Temperature	50 °C
Max Media Temperature	100 °C
Elastomer Options:	
Diaphragm	<b>EPDM</b> / Silicone
Valves	EPDM / <b>Silicone</b>
Gaskets	EPDM / <b>Silicone</b>
Eccentric Options:	<b>1.00</b> / 1.25 mm
Other Wetted Parts	PPS (polyphenylene sulphide)
Mounting	Supplied with 2 mounting clips (drawing, page 2)
Flow Control	→ <a href="#">PWM Flow Controller</a>
Weight	165 g

**Bold** indicates configuration applicable to this datasheet

## Flow Curve



## Drawing



Links to Drawing and STEP file:

→ [Drawing \(.png\)](#)

→ [STEP \(.zip\)](#)

Boxer Pumps > Products > Diaphragm Pump

## Order Information

Part Number	Description
5312.003	5KD 12 V DC

Please enquire for part numbers of other configurations.

## Additional Information (Links):

- [5KD Webpage](#)
- [Boxer diaphragm pump overview](#)

All data is representative for initial selection purposes. It is the responsibility of the user to determine suitability for the intended use. Technical changes reserved.