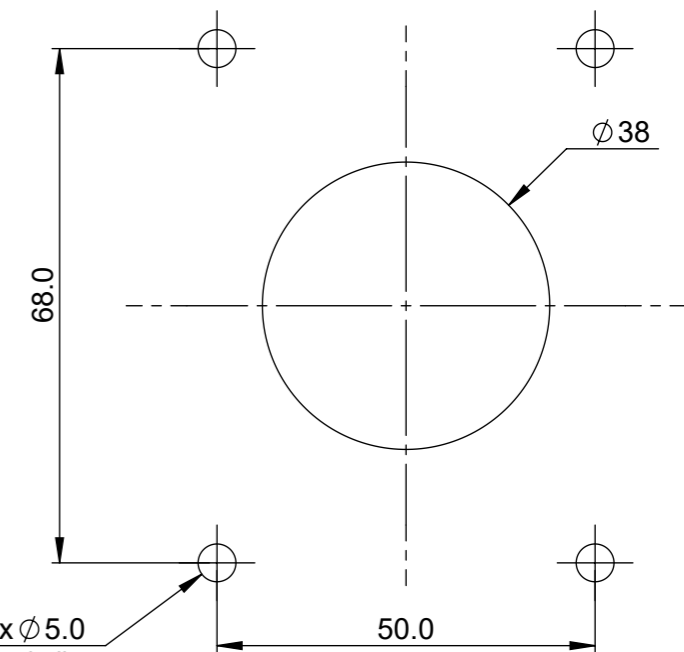


Recommended Panel Cut-Out:



4x ϕ 5.0
 fixation with ISO 7045 - M4 or similar
 max. head diameter 8.0, max. height 3.5
 min. thread length 10 + Panel Thickness

DIMENSIONS STATED IN MM

Open pump is exemplary visualization based on 15KU with NEMA23 as 3 Roller Version (#15701.300) with Single 6.4x1.6 Straight Tube Set (#15000.228). Dimensions of open pump valid for all pumps of 15KU family.

BOXER					Surface Quality	Default Tolerances LIN: X. ±1.00 ANG: X. ±1.0° X.X ±0.20 X.X ±0.5° X.XX ±0.10	Material, Colour Head: PPS/PA/SSt, black	
Marktplatz 9 • 87724 Ottobeuren • Germany					Part Number 1501[x].3[xx]	Part Name 15KU DC Gear 12V/24V	Format A3	
Rev.	Date (D.M.Y.)	CRE	CHE	APP	Tool Number ---	Project 15KU	Scale 1:1	
04							Sheet	
03							1 of 1	
02								
01								
00	05.12.2022	RZe	SCo	SSp	File Name: 15KU_Assy			