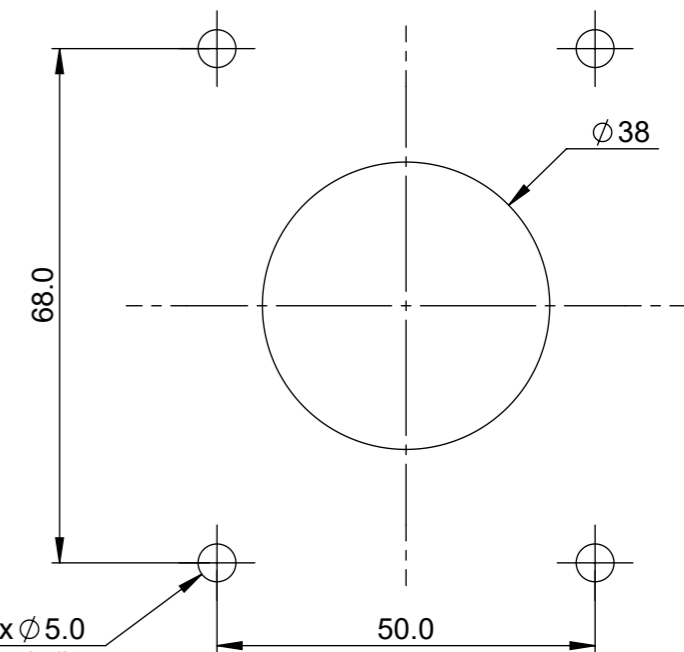


**Recommended Panel Cut-Out:**



fixation with ISO 7045 - M4 or similar  
 max. head diameter 8.0, max. height 3.5  
 min. thread length 10 + Panel Thickness

DIMENSIONS STATED IN MM

Open pump is exemplary visualization based on 15KU with NEMA23 as 3 Roller Version (#15701.300) with Single 6.4x1.6 Straight Tube Set (#15000.228). Dimensions of open pump valid for all pumps of 15KU family.

<b>BOXER</b> Marktplatz 9 • 87724 Ottobern • Germany					Surface Quality	Default Tolerances LIN: X. ±1.00   ANG: X. ±1.0° X.X ±0.20   X.X ±0.5° X.XX ±0.10	Material, Colour Head: PPS/PA/SSt, black	
					Part Number <b>1500[x].3[xx]</b>	Part Name <b>15KU DC Gear 12V/24V</b>	Format <b>A3</b>	
Rev.	Date (D.M.Y.)	CRE	CHE	APP	Tool Number ---	Project <b>15KU</b>	Scale <b>1:1</b>	
04							Sheet	
03							<b>1 of 1</b>	
02								
01								
00	05.12.2022	RZe	SCo	SSp	File Name: 15KU_Assy			