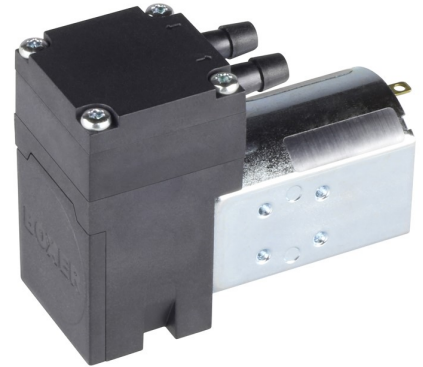


Boxer Pumps > Products > Liquid Diaphragm Pump

16K liquid diaphragm pump with DC Motor.

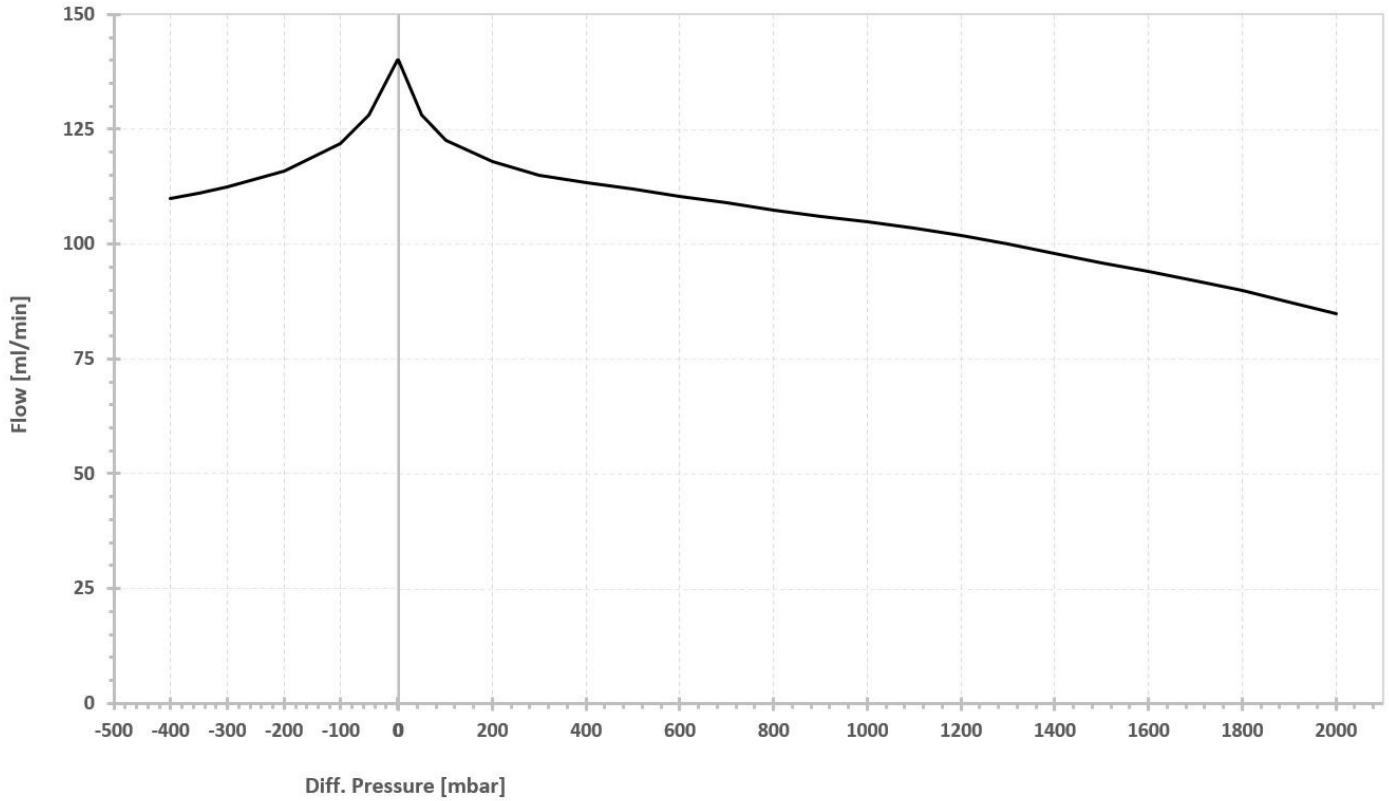


## Technical Data

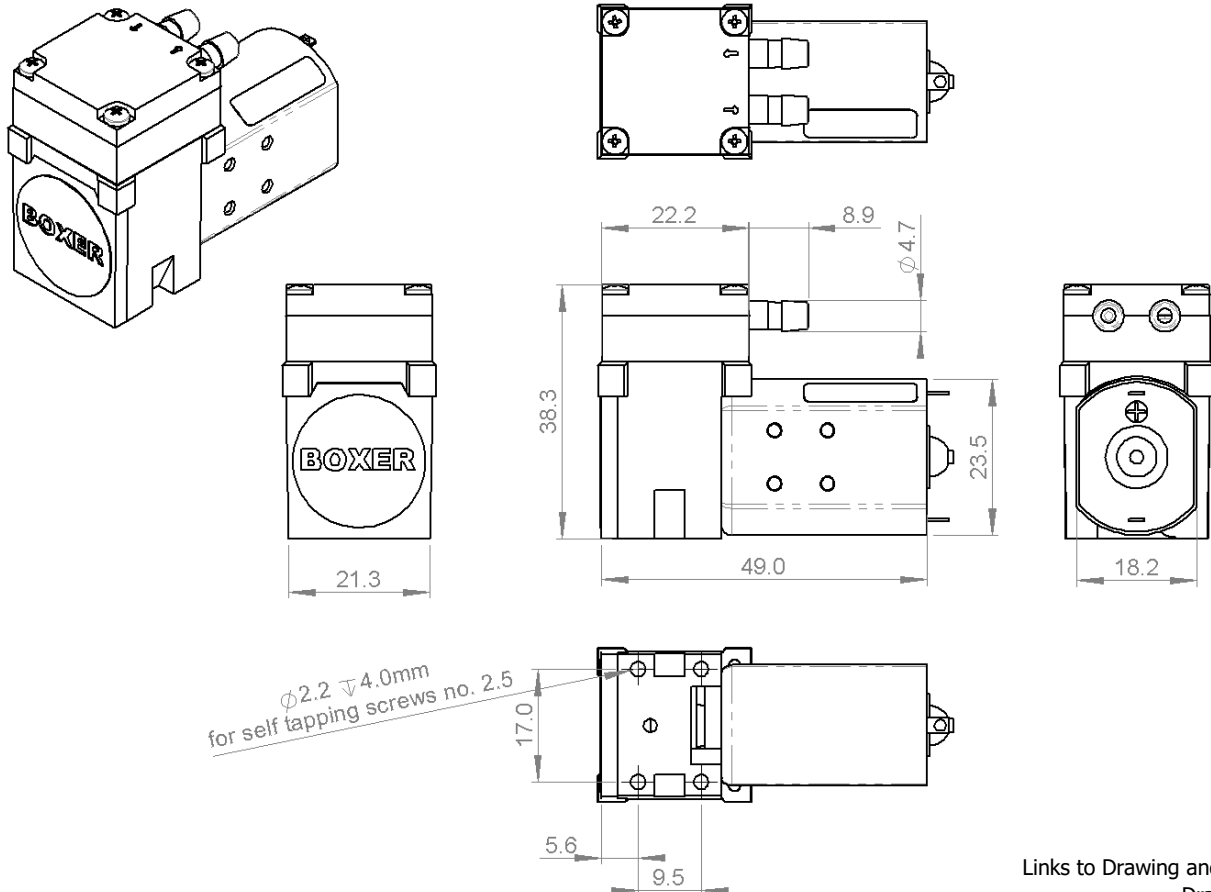
Free Flow	140 ml/min
Max Pressure	2.0 bar
Max Vacuum	4.0 m H <sub>2</sub> O
Free Flow (gas / dry)	150 ml/min
Max Suction Height (dry)	4.0 m H <sub>2</sub> O
Voltage Options	12 / 24 V DC
Power Consumption	5.0 to 6.0 W
Terminal Resistance	
Inductance	
Motor Termination:	
12 V	Solder tags
24 V	Red / black leads, 250 mm length, 5mm stripped / tinned, capacitor suppression
Max. Motor Surface Temperature	80 °C
Motor Insulation Class	
Recommended PWM Frequency	> 16 kHz
Max Ambient Operating Temperature	50 °C
Max Media Temperature	100 °C
Elastomers:	
Diaphragm	<b>EPDM</b>
Valves	<b>EPDM</b>
Gasket	<b>EPDM</b>
Eccentric Options:	<b>0.6 mm</b>
Other Wetted Parts	PPS (polyphenylene sulphide)
Flow Control	→ <a href="#">PWM Flow Controller</a>
Weight	60 g

**Bold** indicates configuration applicable to this datasheet

## Flow Curve



## Drawing



Links to Drawing and STEP file:  
→ [Drawing \(.jpg\)](#)  
→ [STEP \(.zip\)](#)

[Boxer Pumps](#) > [Products](#) > [Liquid Diaphragm Pump](#)

## Order Information

Part Number	Description
16005.000	16K 12 V DC
16006.000	16K 24 V DC

Please enquire for part numbers of other configurations.

## BOX-it (Webshop for online purchase)

Sample quantities are available for direct online purchase:



→ [BOX-it](#)

## Additional Information (Links):

→ [16K webpage](#)

→ [Boxer liquid diaphragm pump overview](#)

All data is representative for initial selection purposes. It is the responsibility of the user to determine suitability for the intended use. Technical changes reserved.