

Boxer Pumps > Products > Diaphragm Pump

3KQ diaphragm pump with DC Motor.



Technical Data

Parallel Connection:

Free Flow	28.0 l/min
Max Pressure	2.0 bar
Max Vacuum	-800 mbar
Power Consumption	8.5 to 43.0 W

Series Connection (Vacuum only):

Free Flow	8.5 l /min
Max Vacuum	-950 mbar
Power Consumption	16.0 to 30.0 W

Voltage Options	12 / 24 V DC
Terminal Resistance	1.7 Ω / 6.5 Ω (12 V / 24 V)
Wire Length	300 mm (7 mm stripped / tinned)
Wire Colours	Red (+V), Black (GND)
Wire Gauge	22 AWG
EMC Suppression	2 x L (2 x 3.9 μH)
Max. Motor Surface Temperature	80 °C
Motor Insulation Class	E
Recommended PWM Frequency	> 16 kHz

Max Ambient Operating Temperature	50 °C
Max Media Temperature	100 °C

Elastomer Options:

Diaphragm	EPDM / Nitrile / Viton / Silicone
Valves	EPDM / Nitrile / Viton / Silicone
O-Rings	EPDM / Nitrile / Viton / Silicone

Eccentric Options:	0.8 / 1.0 / 2.0 mm
--------------------	---------------------------

Other Wetted Parts	PPS (polyphenylene sulphide)
--------------------	------------------------------

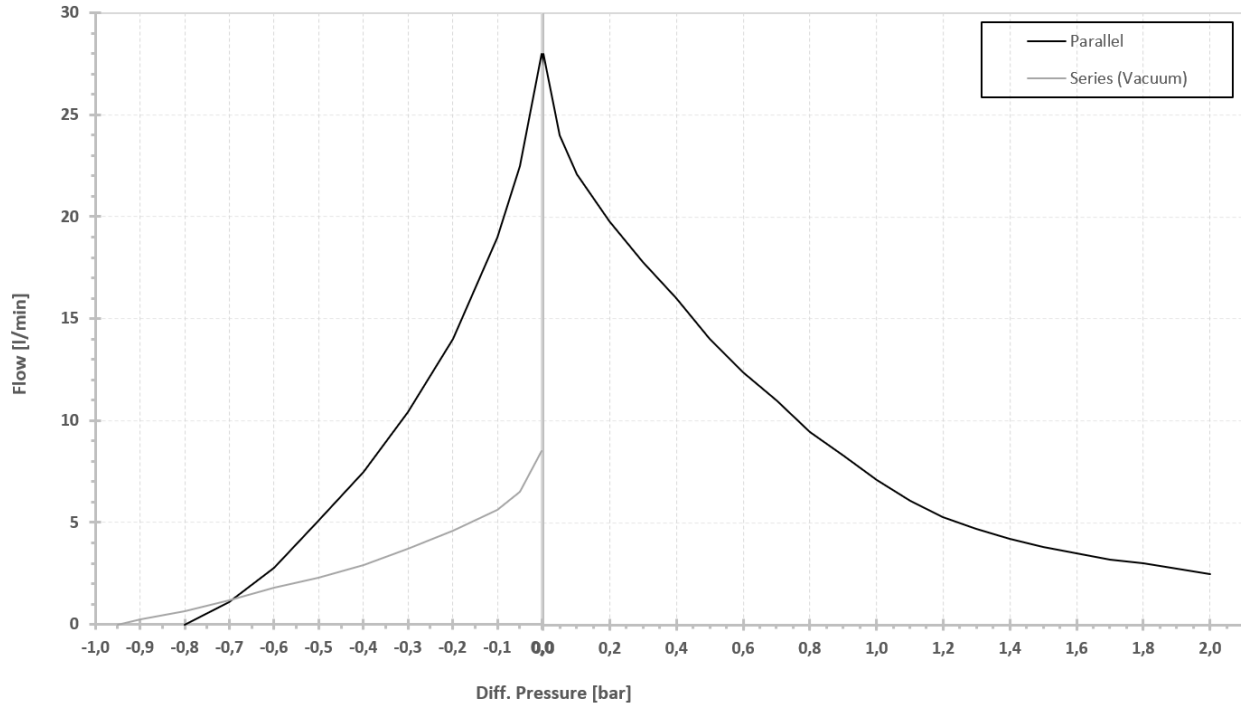
Mounting	Supplied with mounting bracket (see drawing, page 2)
----------	--

Flow Control	→ PWM Flow Controller
--------------	---------------------------------------

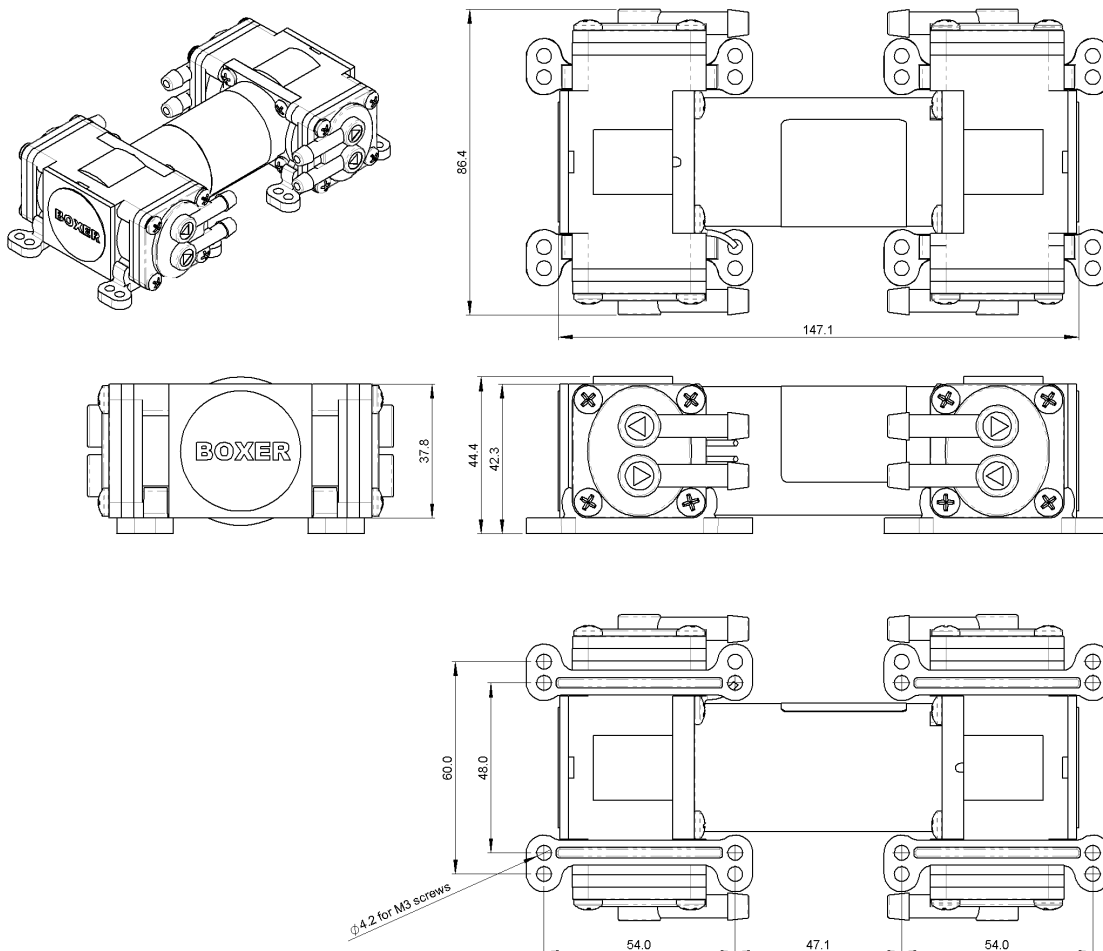
Weight	575 g
--------	-------

Bold indicates configuration applicable to this datasheet

Flow Curve



Drawing



Links to Drawing and STEP file:

→ [Drawing \(.png\)](#)

→ [STEP \(.zip\)](#)

Boxer Pumps > Products > Diaphragm Pump

Order Information

Part Number	Description
3114.129	3K 12 V DC
3114.252	3K 24 V DC

Please enquire for part numbers of other configurations.

BOX-it (Webshop for online purchase)

Sample quantities are available for direct online purchase:



→ [BOX-it](#)

Additional Information (Links):

→ [3KQ Webpage](#)

→ [Boxer diaphragm pump overview](#)

All data is representative for initial selection purposes. It is the responsibility of the user to determine suitability for the intended use. Technical changes reserved.