

Boxer Pumps > Products > Diaphragm Pump

19K diaphragm pump with DC Motor.

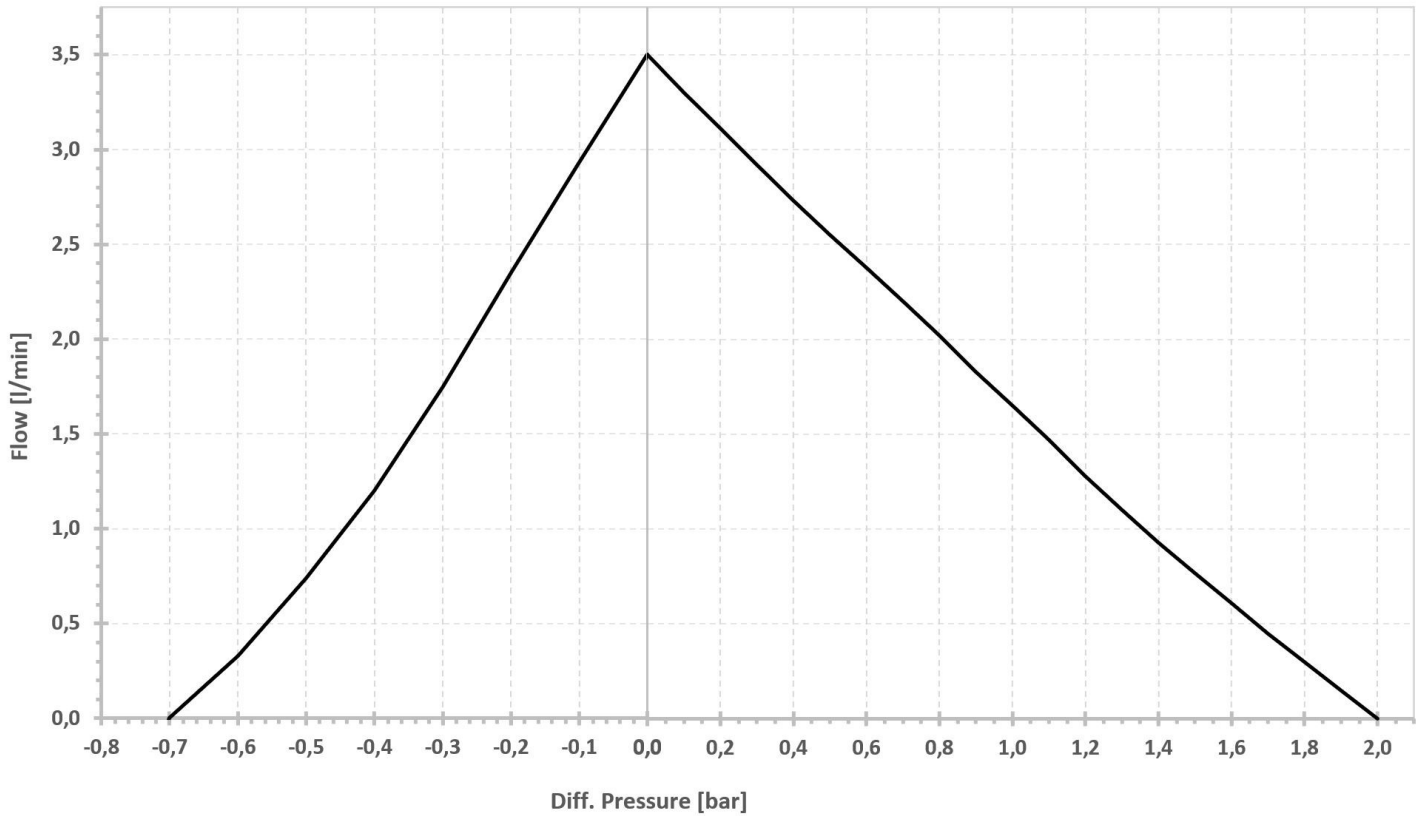


## Technical Data

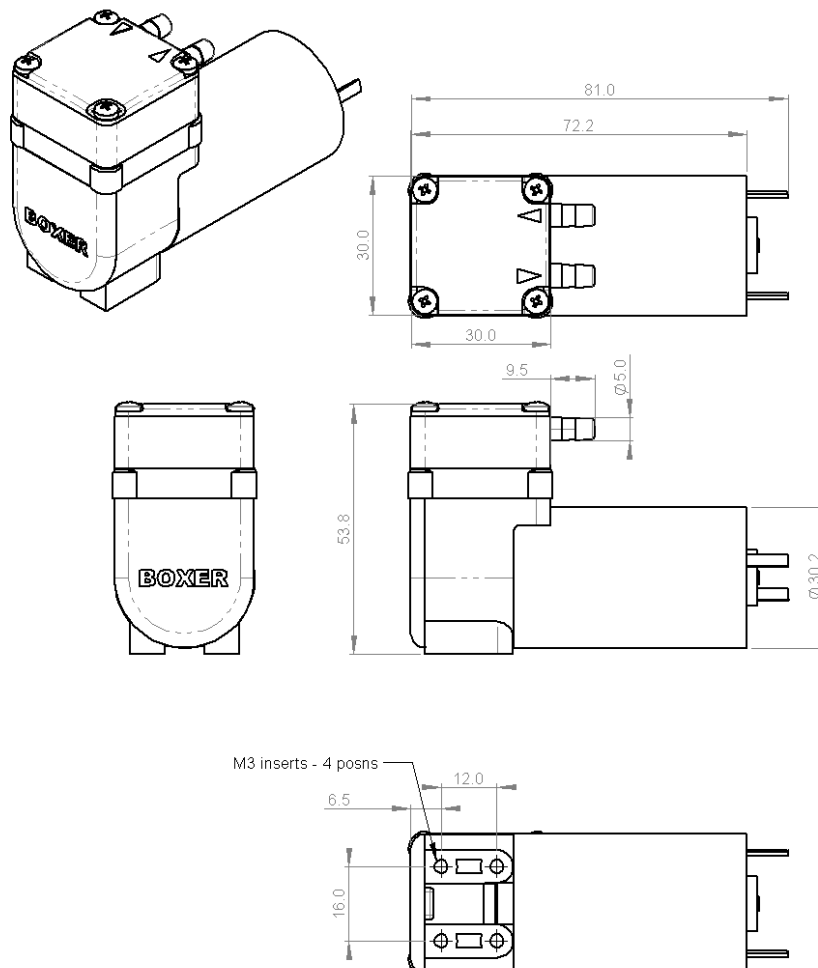
Free Flow	3.5 l/min
Max Pressure	2.0 bar
Max Vacuum	-740 mbar
Voltage Options	12 / 24 V DC
Power Consumption	3.0 to 6.6 W
Terminal Resistance	4.9 / 17.1 Ω (12 / 24 V)
Inductance	3.6 / 15.3 mH (12 / 24 V)
Motor Termination	Solder / Crimp Tags
Max. Motor Surface Temperature	80 °C
Motor Insulation Class	E
Recommended PWM Frequency	> 16 kHz
Max Ambient Operating Temperature	50 °C
Max Media Temperature	100 °C
Elastomer Options:	
Diaphragm	<b>EPDM</b> / Nitrile / Viton (FKM) / FFKM
Valves	<b>Silicone</b> / EPDM / Nitrile / Viton (FKM) / FFKM
Gaskets	<b>EPDM</b> / Nitrile / Viton (FKM) / FFKM
Eccentric Options:	0.6 / 1.0 / <b>1.6</b> mm
Other Wetted Parts	PPS (polyphenylene sulphide)
Mounting	Optional anti-vibration mounting foot
Flow Control	→ <a href="#">PWM Flow Controller</a>
Weight	175 g

**Bold** indicates configuration applicable to this datasheet

## Flow Curve



## Drawing



Links to Drawing and STEP file:  
 → [Drawing \(.png\)](#)  
 → [STEP \(.zip\)](#)

Boxer Pumps > Products > Diaphragm Pump

## Order Information

Part Number	Description
19101.003	19K 12 V DC
19101.004	19K 24 V DC

Please enquire for part numbers of other configurations.

## BOX-it (Webshop for online purchase)

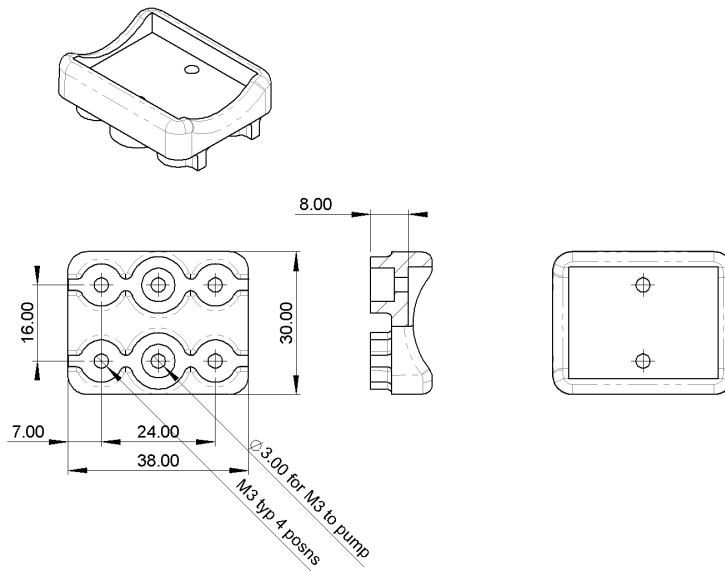
Sample quantities are available for direct online purchase:



→ [BOX-it](#)

## Optional Anti-Vibration Mounting Foot

Includes 2 x M3 screws / washers.



Links to Drawing and STEP file:

→ [Drawing \(.png\)](#)

→ [STEP \(.zip\)](#)

Part Number	Description
19000.001	19K Mounting Foot



→ [BOX-it](#)

## Additional Information (Links):

→ [19K Webpage](#)

→ [Boxer diaphragm pump overview](#)

All data is representative for initial selection purposes. It is the responsibility of the user to determine suitability for the intended use. Technical changes reserved.