

Boxer Pumps > Products > Diaphragm Pump

19K diaphragm pump with BLDC Motor.



Technical Data

Free Flow	4.3 l/min
Max Pressure	2.0 bar
Max Vacuum	-700 mbar
Voltage Options	24 V DC
Power Consumption	5.0 to 9.6 W
Max current (start-up or locked rotor), electronically limited	5.0 A
Speed	500 to 5400 rpm
Wiring Details / Speed Control	See next page
Wire Length	400 mm (5 mm stripped / tinned)
Wire Gauge	22 AWG
Max. Motor Surface Temperature	80 °C
Motor Insulation Class	B
Max Ambient Operating Temperature	50 °C
Max Media Temperature	100 °C
Elastomer Options:	
Diaphragm	EPDM / Nitrile / Viton (FKM) / FFKM
Valves	Silicone / EPDM / Nitrile / Viton (FKM) / FFKM
Gaskets	EPDM / Nitrile / Viton (FKM) / FFKM
Eccentric Options:	0.6 / 1.0 / 1.6 mm
Other Wetted Parts	PPS (polyphenylene sulphide)
Mounting	Optional anti-vibration mounting foot
Weight	215 g

Bold indicates configuration applicable to this datasheet

Wiring Details / Speed Control

Wire:

1	Red	24 V DC
2	Black	GND
3	Green	Speed control input: 0 to 5V DC (or PWM with min. 15 kHz signal) Speed: 500 to 5400 rpm Resolution: 10 Bit (1024 steps)
4	White *	+ 5 V DC output (for use with speed control, see below)
5	Yellow	Frequency output, 1 pulse (+ 5 V) per revolution with 50% on time

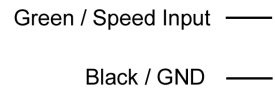
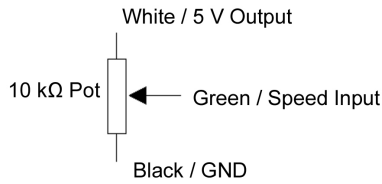
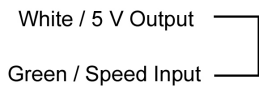
* White wire is supplied insulated. Damage will occur if connected to GND or any voltage.

The 19K BLDC diaphragm pump has 3 options for speed control:

❶ Full Speed: white + 5 V DC output connected directly to green speed input.

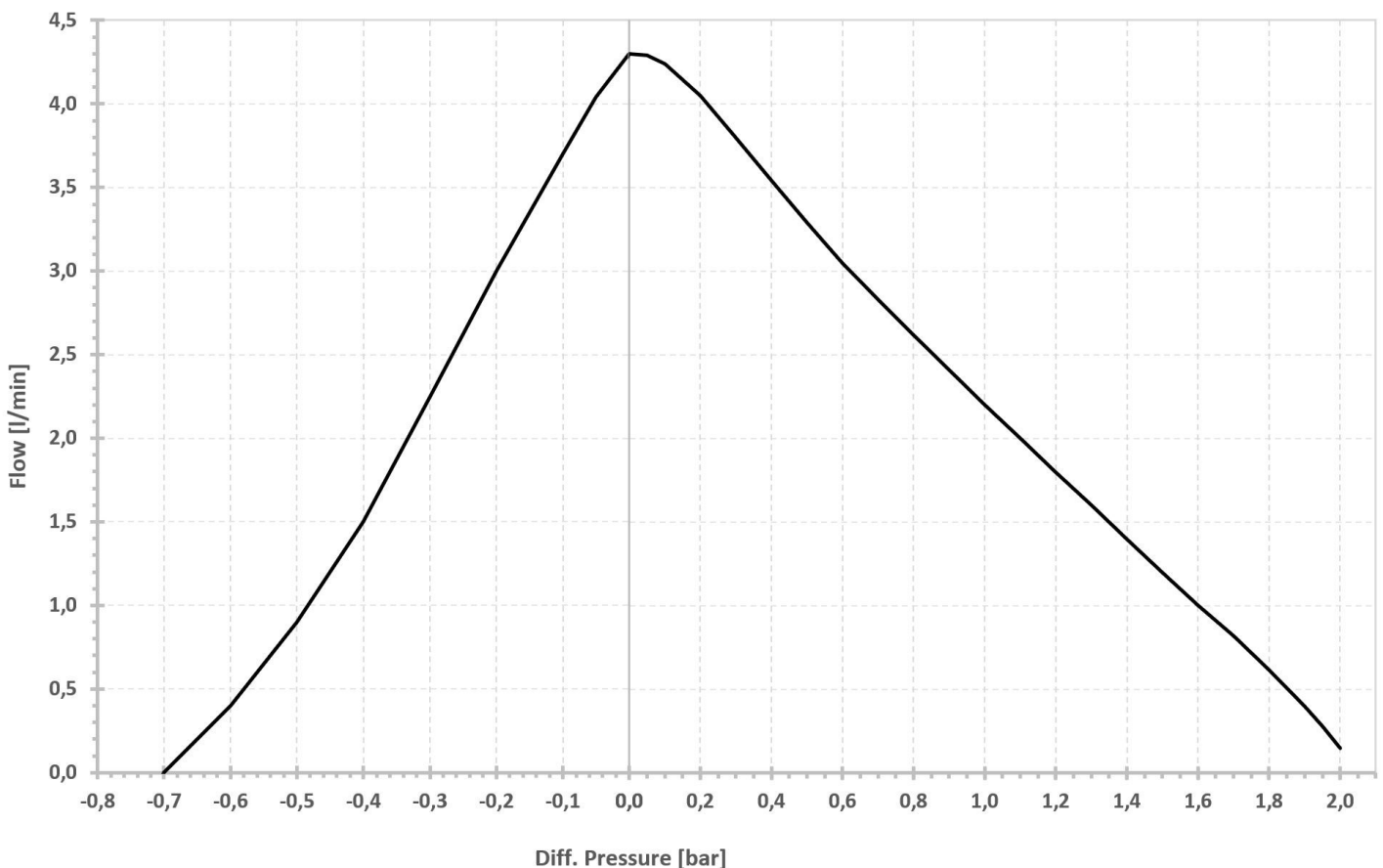
❷ Variable Speed: external 10 kΩ pot connected between white + 5V DC output and GND with wiper connected to green speed input.

❸ Variable Speed: green speed input connected directly to an external 0 to 5 V DC (or PWM) signal with common GND to motor.

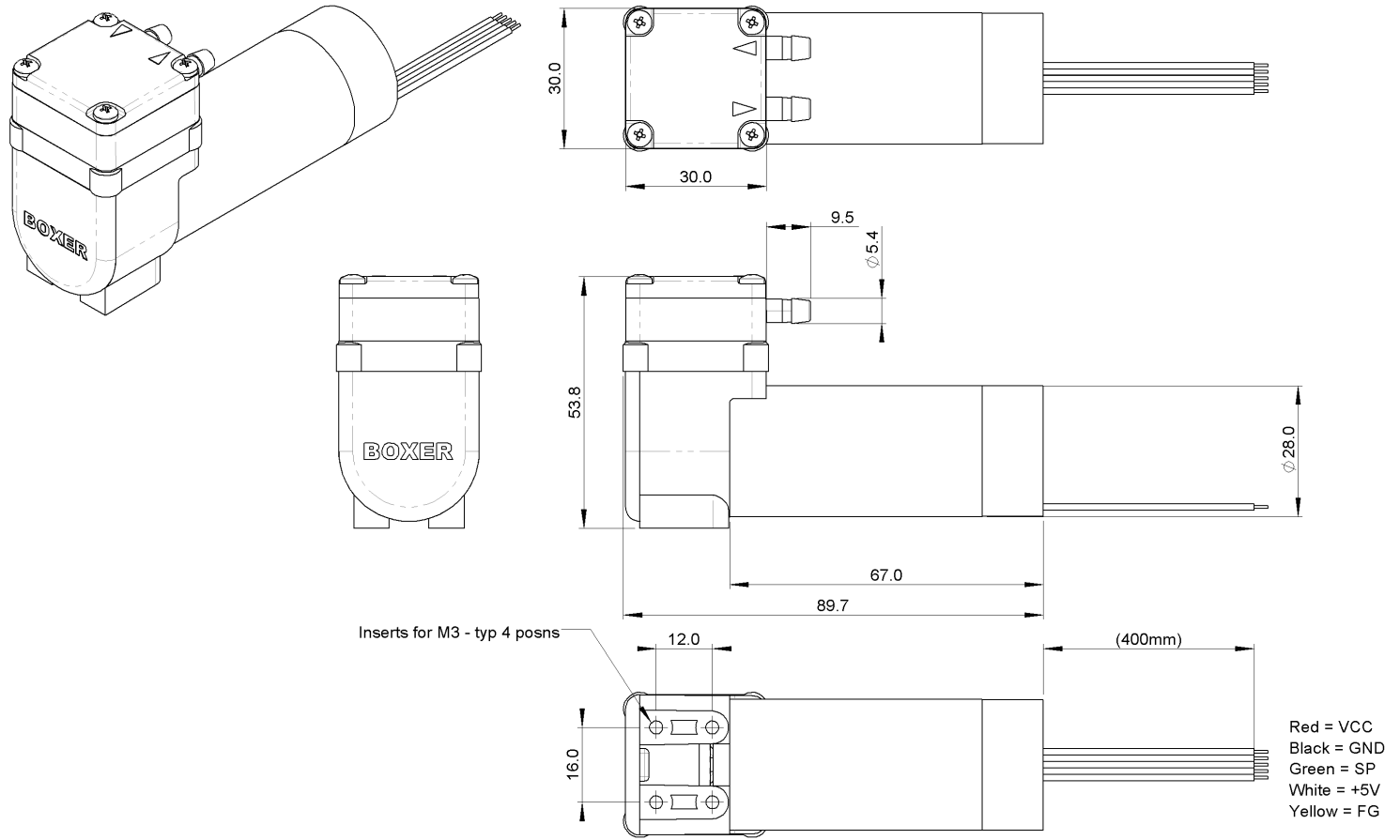


Flow Curve

At max speed (Speed Input at 5 V DC / 5400 rpm)



Drawing



Links to Drawing and STEP file:

→ [Drawing \(.png\)](#)

→ [STEP \(.zip\)](#)

Order Information

Part Number	Description
19101.611	19K 24 V BLDC

Please enquire for part numbers of other configurations.

BOX-it (Webshop for online purchase)

Sample quantities are available for direct online purchase:



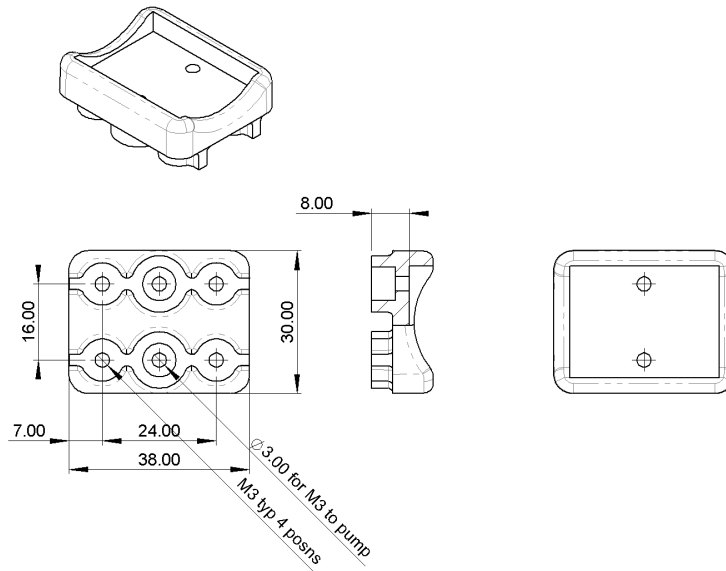
→ [BOX-it](#)

All data is representative for initial selection purposes. It is the responsibility of the user to determine suitability for the intended use. Technical changes reserved.

Boxer Pumps > Products > Diaphragm Pump

Optional Anti-Vibration Mounting Foot

Includes 2 x M3 screws / washers.



Links to Drawing and STEP file:

→ [Drawing \(.png\)](#)

→ [STEP \(.zip\)](#)

Part Number	Description
19000.001	19K Mounting Foot



→ [BOX-it](#)

Additional Information (Links):

→ [19K Webpage](#)

→ [Boxer diaphragm pump overview](#)

All data is representative for initial selection purposes. It is the responsibility of the user to determine suitability for the intended use. Technical changes reserved.